
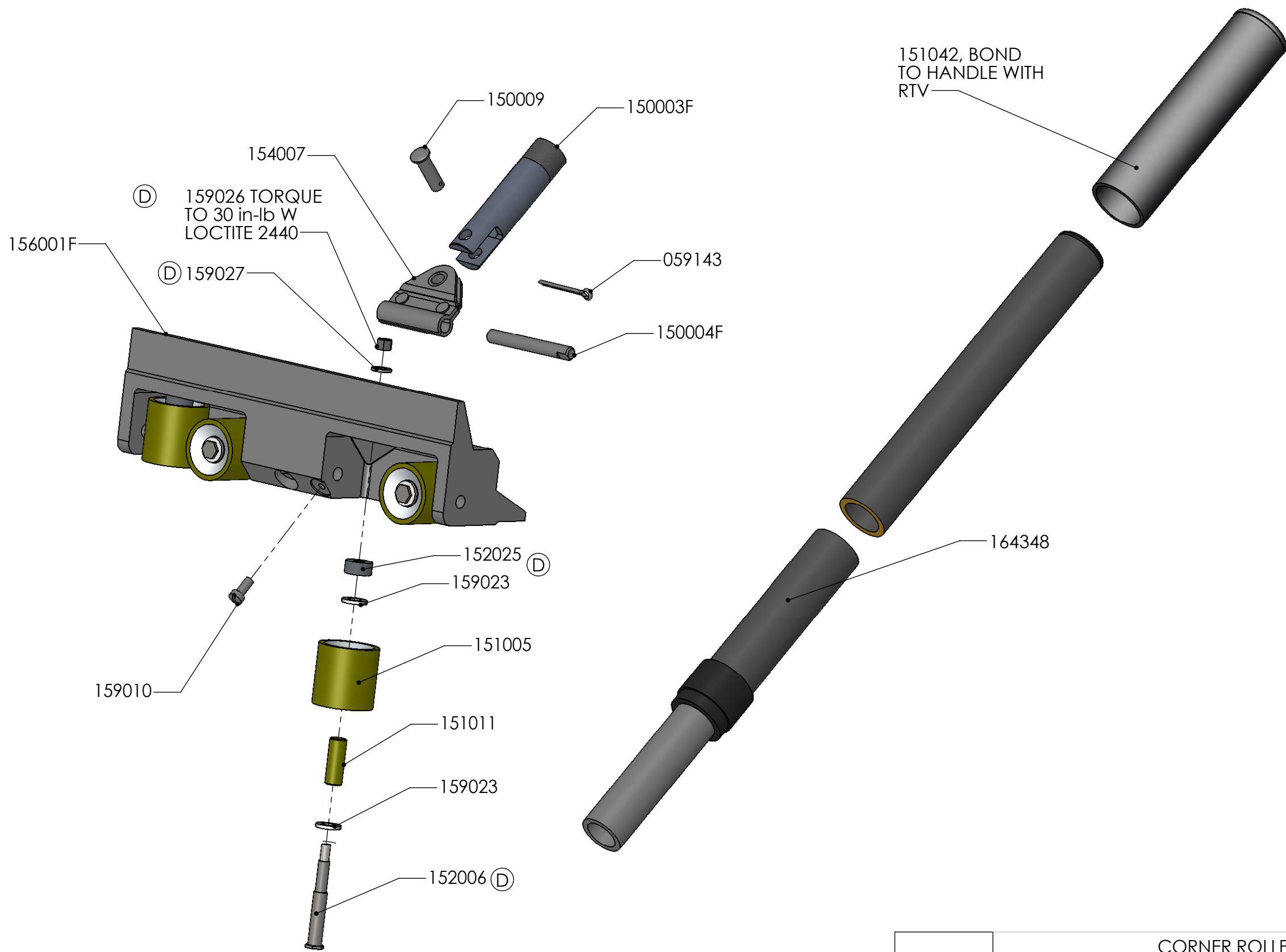


REVISIONS				
ECN	REV.	DESCRIPTION	DATE	BY
1420	A	RELEASED FOR PRODUCTION	03/05	MWJ
1428	B	159024 (QTY 4) WAS 129061	11/05	MWJ
	C	150004F & 150009 WERE REVERSED ON ASSY VIEW	07/08	MWJ
1544	D	REPL 151006 AND 159024 WITH NEW STUD ASSY	12/08	MWJ

<u>PART NUMBER</u>	<u>DESCRIPTION</u>	<u>QTY</u>
156001F	CORNER ROLLER HEAD, NO LOGO	1
154007	SWIVEL ASSY	1
150004F	SWIVEL ASSEMBLY	1
159023	NYLON WASHER	8
151011	INNER ROLLER	4
151005	OUTER ROLLER ASSEMBLY	4
150009	SWIVEL AXLE	1
059143	COTTER PIN	1
150003F	COUPLING	1
159010	SCREW, 8-32 x 3/8 FILLISTER HEAD	1
152006	STUD	4
152025	SPACER	4
159026	NUT, LONG	4
159027	WASHER	4
164348	CR HANDLE ASSY	1
151042	GRIP	1

	BY	DATE	CORNER ROLLER			
DRAWN	MWJ	03/05	 <small>PROFESSIONAL DRYWALL FINISHING TOOLS</small>			
CHECKED	DJC	07/08				
ALL DIMENSIONS IN INCHES UNLESS OTHERWISE NOTED TOLERANCES UNLESS NOTED .XX ± 0.010" ANGULAR ±.5° .XXX ± 0.005"			SIZE	SCALE = 1:1	DWG. NO. 15TTE	REV.
MATERIAL :			B			D
			ASSEMBLY REF. NO.		SHEET 1 of 2	



15TTE	CORNER ROLLER	
	 <small>PROFESSIONAL DRYWALL FINISHING TOOLS</small>	REV. D